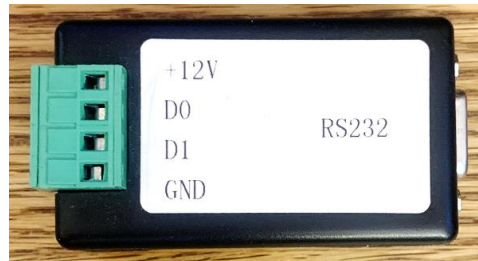


Wiegand-Serial Adapter



What is it?

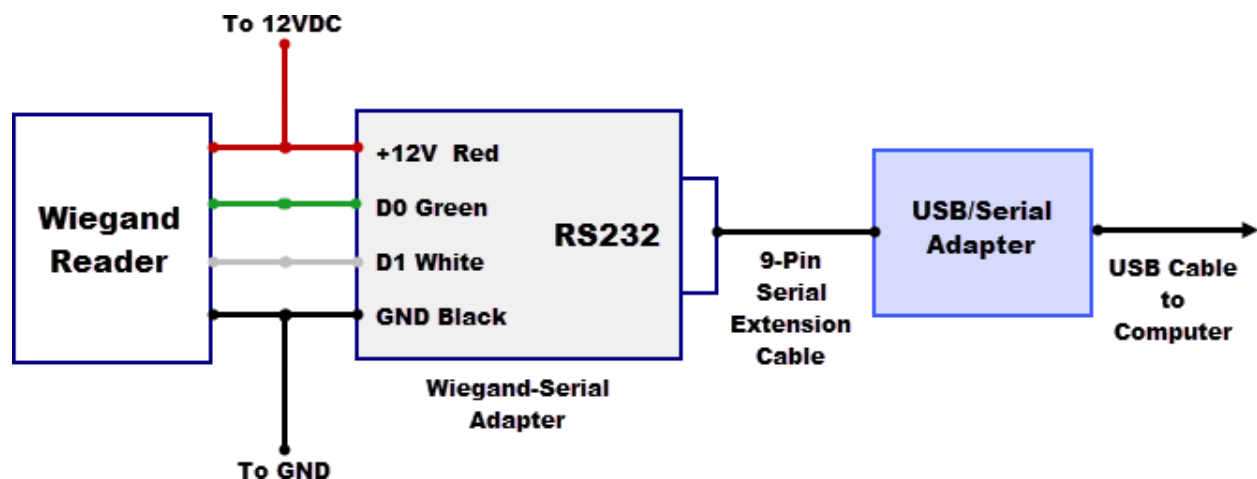
The Wiegand-Serial Adapter allows you to connect a Wiegand device (proximity reader, barcode reader or SmartReader) directly to your computer for access control or front-desk check-in.

When is included?

- Wiegand-Serial Adapter
- 12VDC Power Supply
- USB/Serial Adapter

Connections

- Connect the Wiegand Reader to Wiegand-Serial Adapter with four wires.
- Connect 12VDC Power Supply to Wiegand-Serial Adapter.
- Connect USB/Serial Adapter to Wiegand-Serial Adapter using the 9-Pin Serial Extension Cable.
- Connect the USB/Serial Adapter to a USB port on your computer.



Software Configuration

Please contact Gym Assistant Support at 877-496-2778, x2 for help with configuring your software to work with the Wiegand reader.